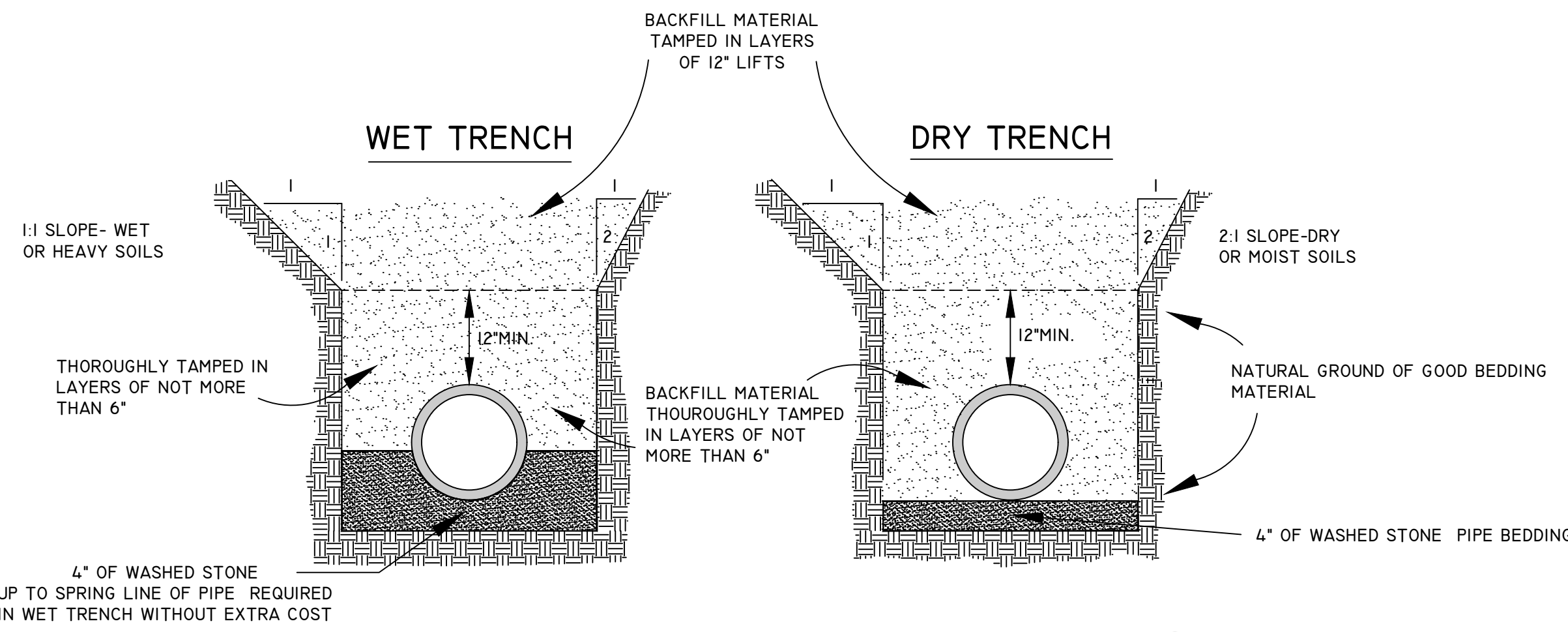


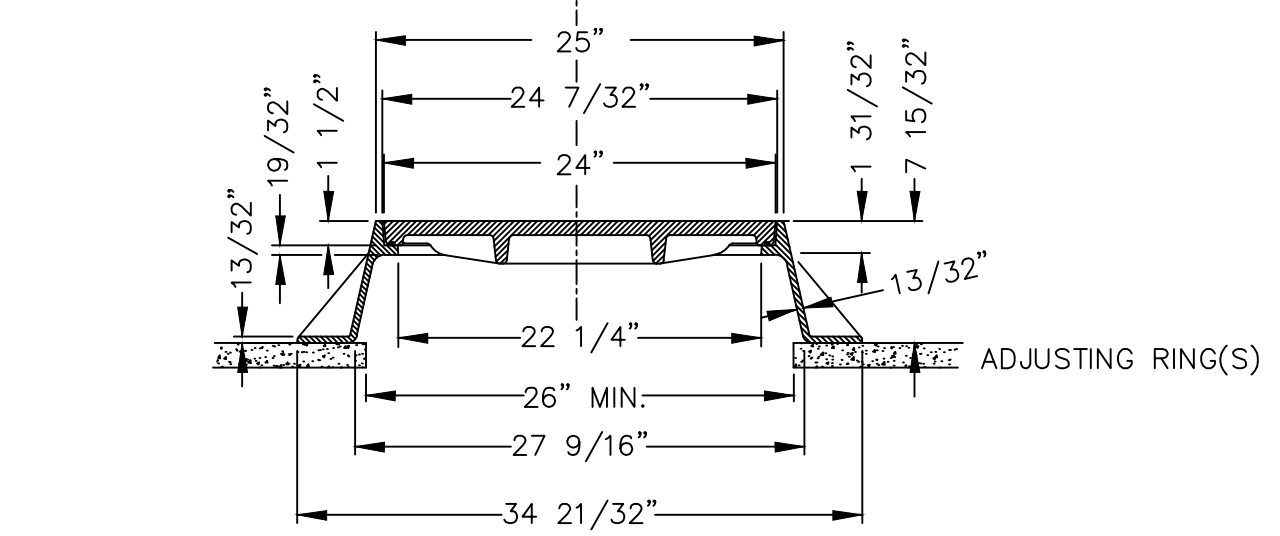
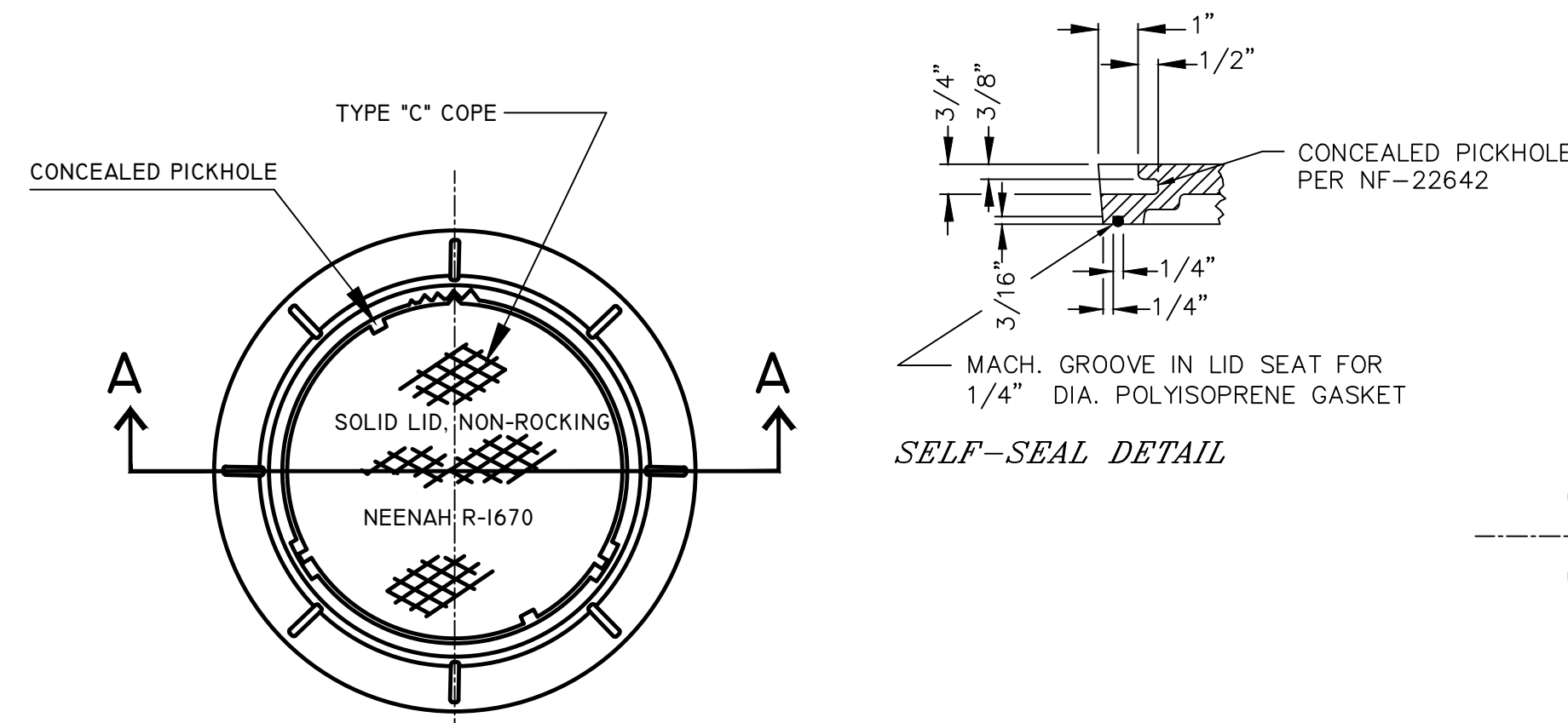
DRAWING
NOT TO SCALE

SEWER PIPE JOINT MATERIALS
CONCRETE PIPE-RUBBER GASKET (ASTM C-443)
PVC PIPE- ELASTOMETRIC GASKET (ASTM D-3212 & F-477)



DETAILS OF SEWER TRENCHES

A
D-2



DETAIL OF MANHOLE FRAME & COVER

(MINIMUM WEIGHT 324 LBS. TOTAL)
NEENAH R-1670 OR EQUAL

NOTE

OPENING FOR FRAME & COVER SHALL BE CENTERED ON MANHOLES WITH FLAT TOPS.

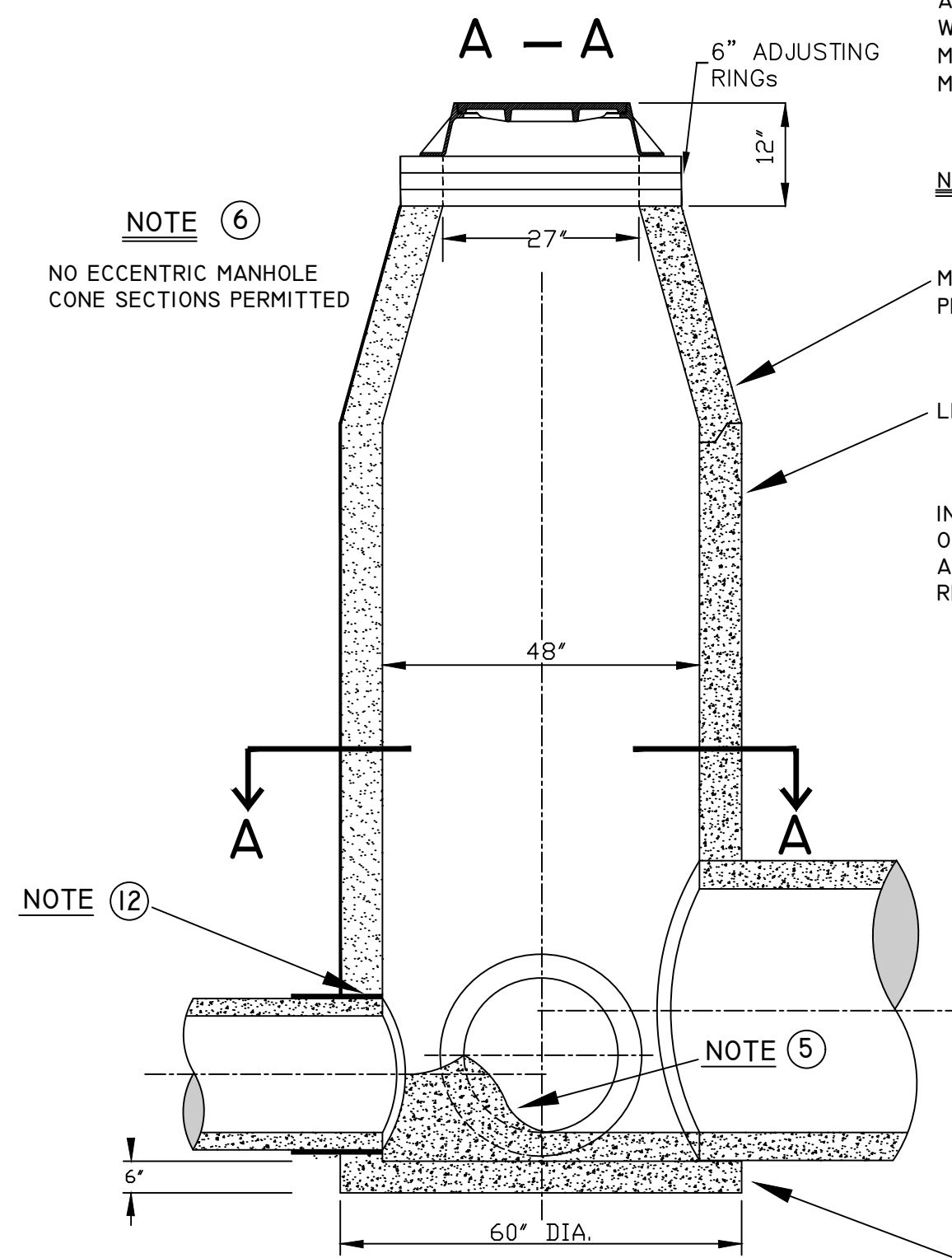
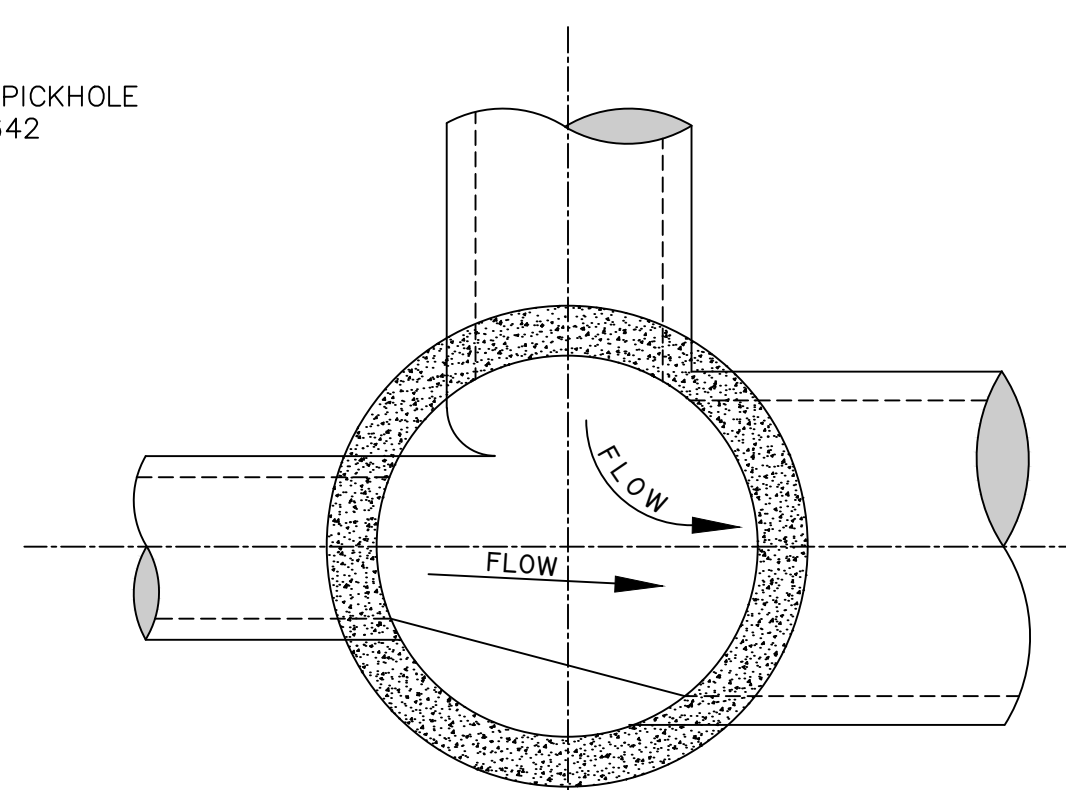
B
D-2

NOTE 12

THE CONNECTION OF ALL PVC STORM WATER PIPE, SIZE 6" TO 30", TO PRECAST MANHOLES OR OTHER STRUCTURES SHALL EMPLOY A WATERTIGHT, FLEXIBLE PIPE-TO-MANHOLE CONNECTOR

THE CONNECTOR SHALL CONSIST OF A SINGLE RUBBER GASKET, SHALL BE CONSTRUCTED SOLELY OF SYNTHETIC OR NATURAL RUBBER, SHALL MEET/EXCEED THE REQUIREMENTS OF ASTM C 923, AND SHALL HAVE A MINIMUM TENSILE STRENGTH OF 1600 PSI

THE CONNECTOR SHALL BE THE SOLE ELEMENT RELIED ON TO ASSURE A FLEXIBLE, WATERTIGHT SEAL OF THE PIPE TO THE STRUCTURE



C
D-2
DETAILS OF STANDARD MANHOLE FOR 30" PIPE OR SMALLER

NOTE 1
TOP OF MANHOLE TO BE 12" BELOW FINISHED GRADE. ADJUSTMENT TO BE OF PRE-CAST CONCRETE RINGS WITH BUTYL GASKETS (ROPE) BETWEEN RINGS AND MORTAR BETWEEN CASTING & TOP RING ONLY. (3/4" MORTAR MAX.)

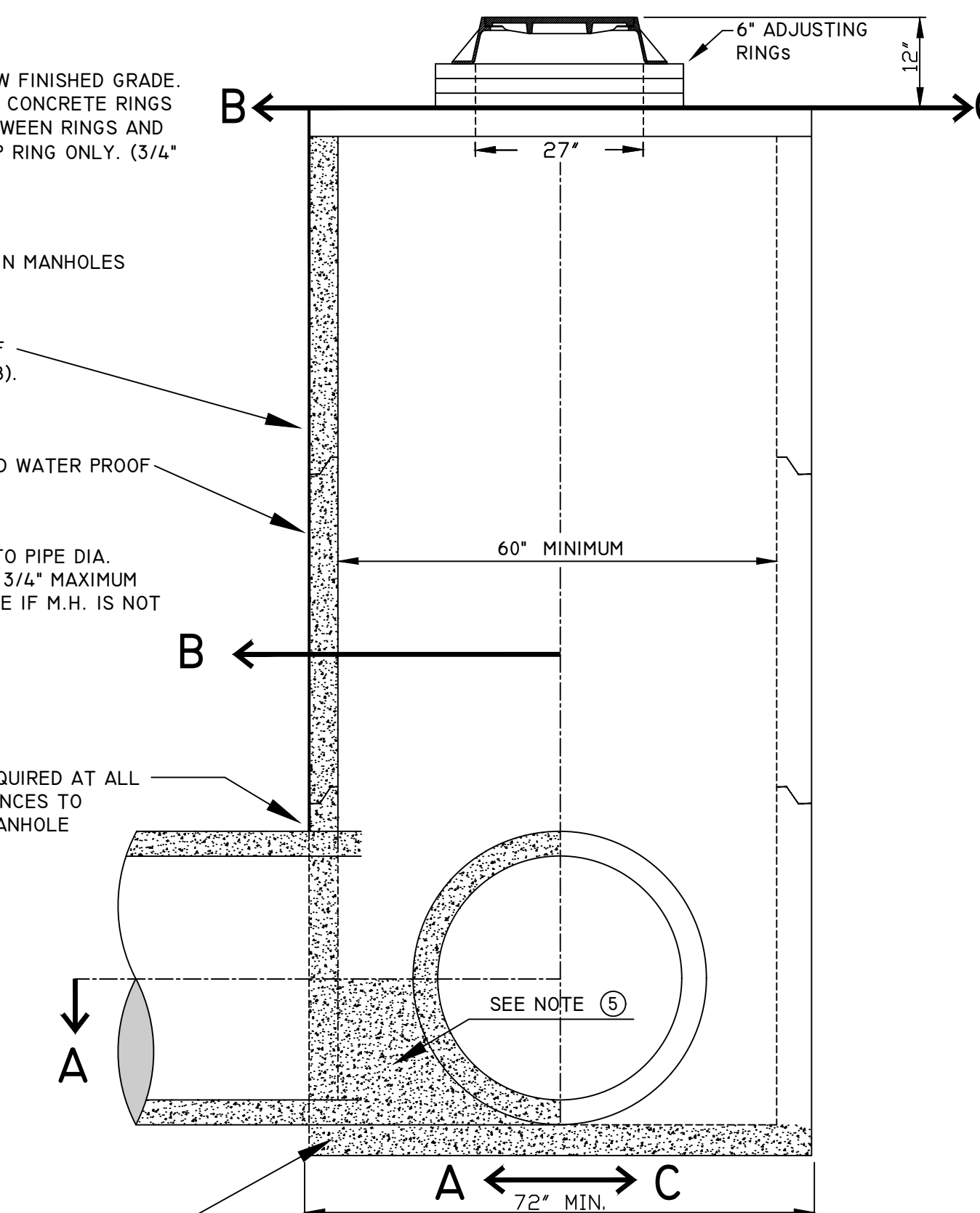
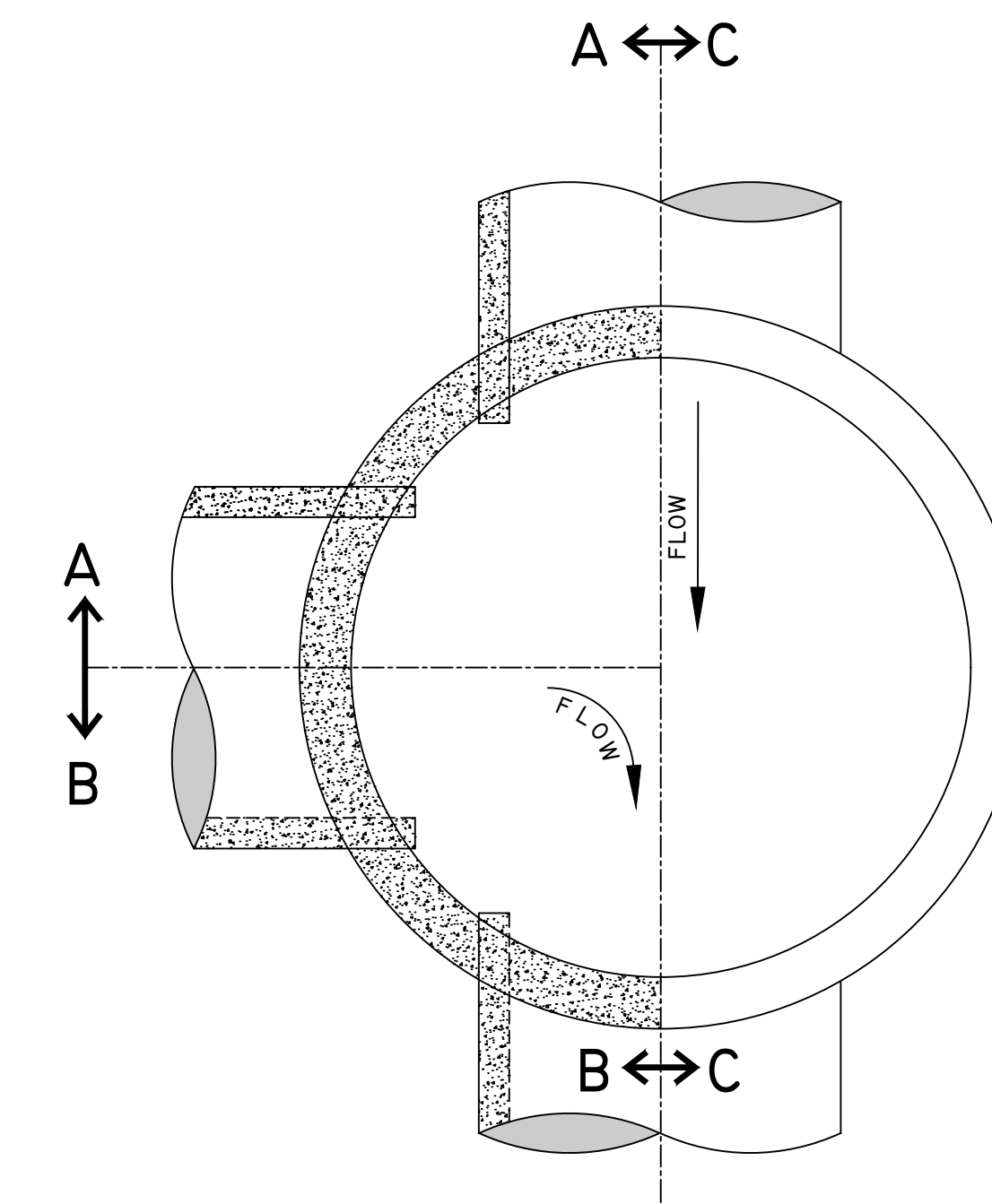
NOTE 2
NO STEPS ARE TO BE INSTALLED IN MANHOLES

NOTE 3
MANHOLE TO BE CONSTRUCTED OF PRE-CAST CONCRETE (ASTM C-478).

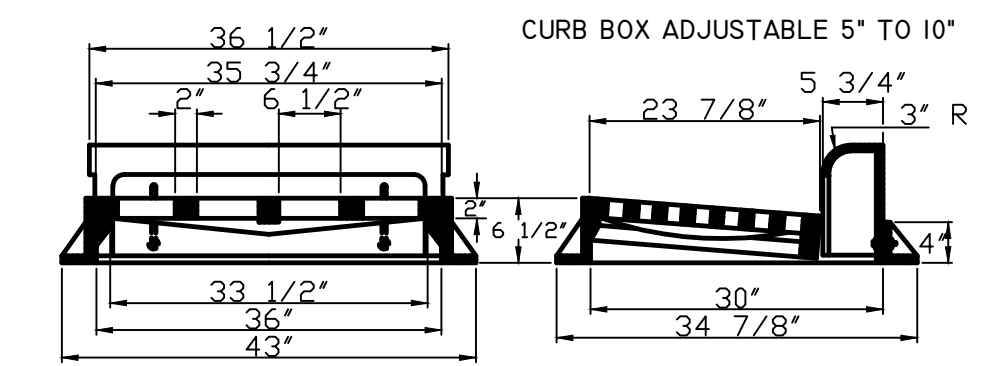
NOTE 4
LIFT HOLES TO BE MANUFACTURED WATER PROOF

NOTE 5
INVERT TO BE FACTORY MOLDED TO PIPE DIA. OR FILLED TO DIRECT FLOW WITH 3/4" MAXIMUM AGGREGATE, 3500 P.S.I. CONCRETE IF M.H. IS NOT REPLACED

NOTE 7
ALL STRUCTURES TO BE MADE WITH PRE-CAST INTEGRAL FOOTING BASE. MIN. 6"

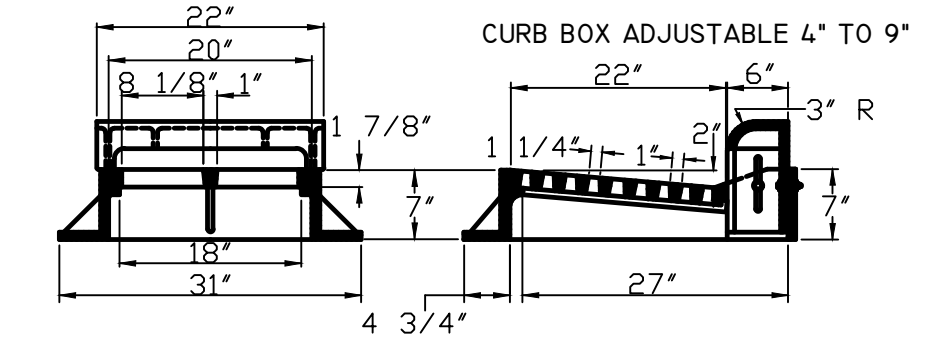


D
D-2
DETAILS OF STANDARD MANHOLE FOR 36" PIPE OR LARGER



DETAILS OF TYPE "A" CATCH BASIN CASTING
NEENAH R-3246-A OR EQUAL
MINIMUM WEIGHT 649 LBS. TOTAL

F
D-2



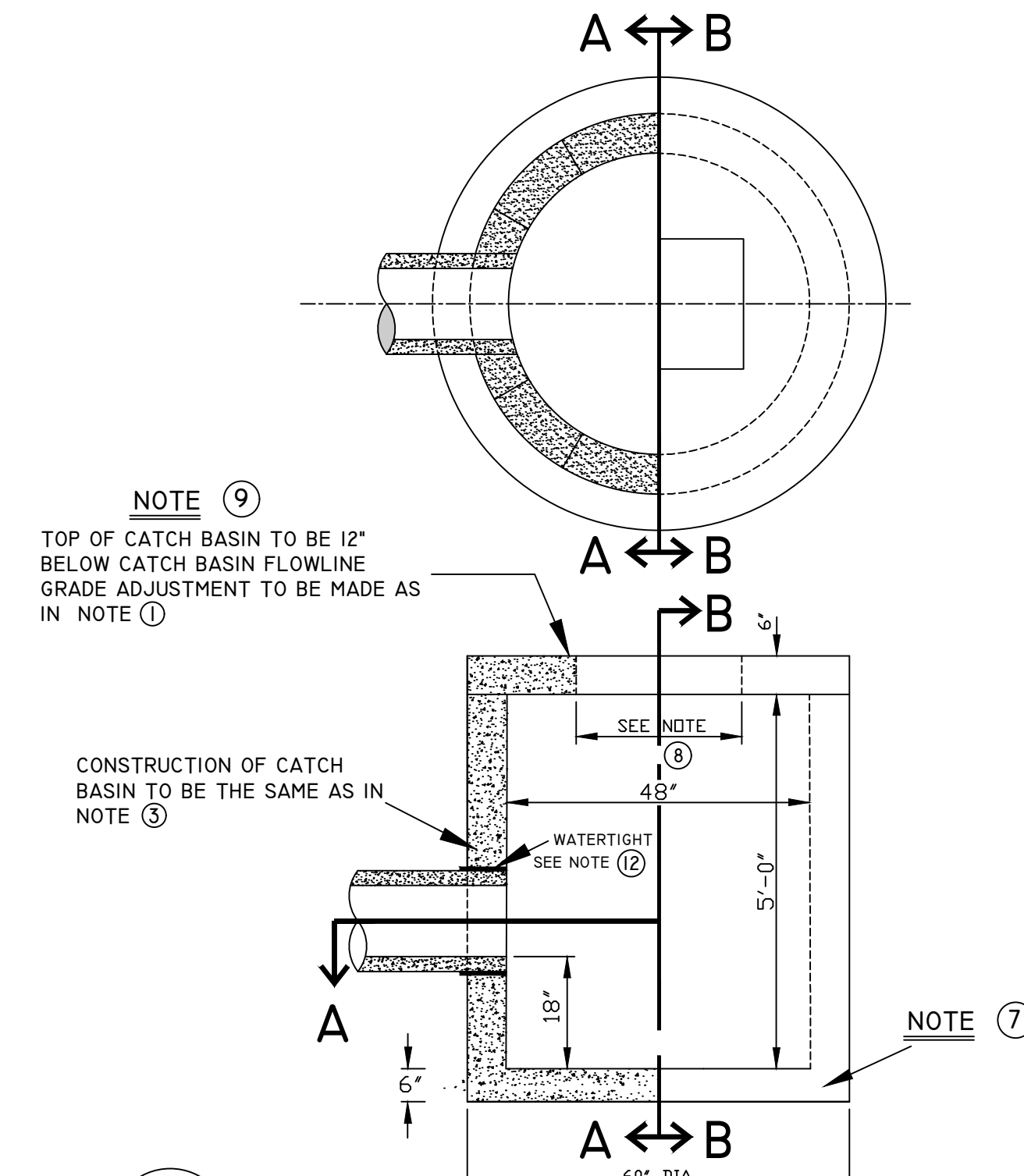
DETAILS OF TYPE "B" CATCH BASIN CASTING
NEENAH R-3234-B1 OR EQUAL
MINIMUM WEIGHT 400 LBS. TOTAL

NOTE: "DUMP NO WASTE DRAINS TO RIVER"

SHALL BE MOLDED IN ALL CASTINGS FACE

NOTE 8

RECTANGULAR OPENING IN TOP
"B" TYPE CASTING - 27" X 22"
"A" TYPE CASTING - 36" X 30"



E
D-2
DETAIL OF TYPE "A" OR "B" CATCH BASIN

PROJECT No.	STORM SEWER DETAILS		
LOCATION	D-2		
RESOLUTION	DATE		
ENGINEERING DEPT. City of LaCrosse, Wis.			
FIELD NO.	DESIGNED	BY	DATE
BOOK	DRAWN	PRELIMINARY	
NUMBER	CHECKED	FINAL	
PAGE	APPROVED		
	REVISIONS	M.D.F.	J.M.C.
		3/03	6/2015
		J.M.C.	9/03
		BEH	2/2019
		M.D.F.	4/06
		J.M.C.	8/2019
SCALE: NONE	M.D.F.	12/10	J.M.C.
	M.D.F.	4/13	11/2023
SHEET NO.	TOTAL SHEETS		