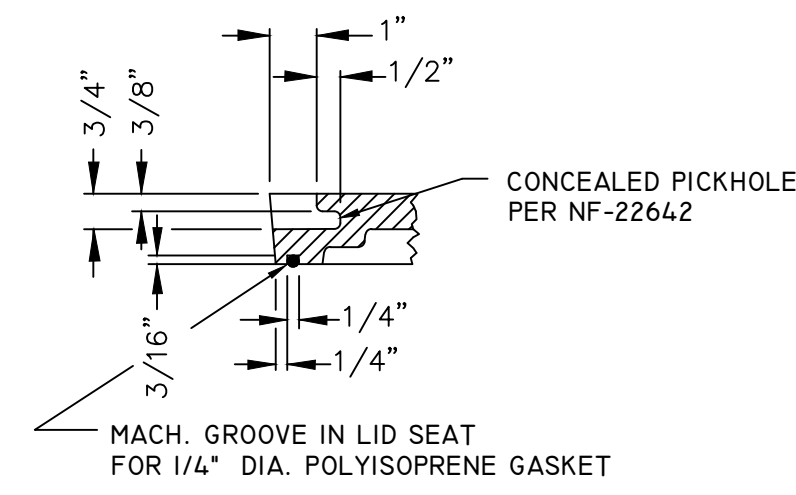
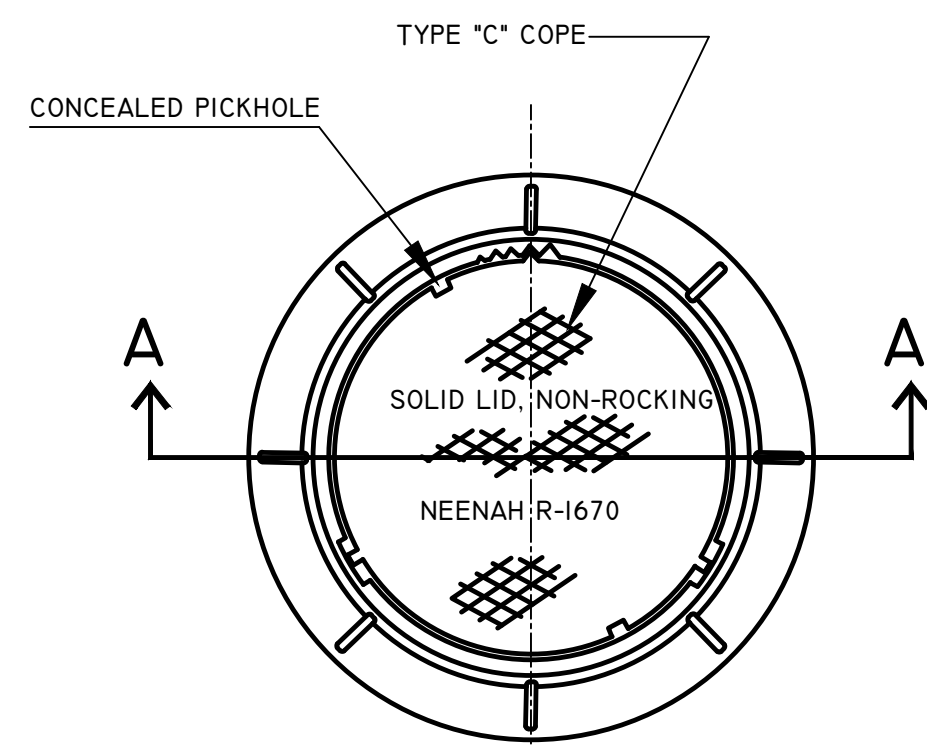


DRAWING
NOT TO SCALE

SEWER PIPE JOINT MATERIALS

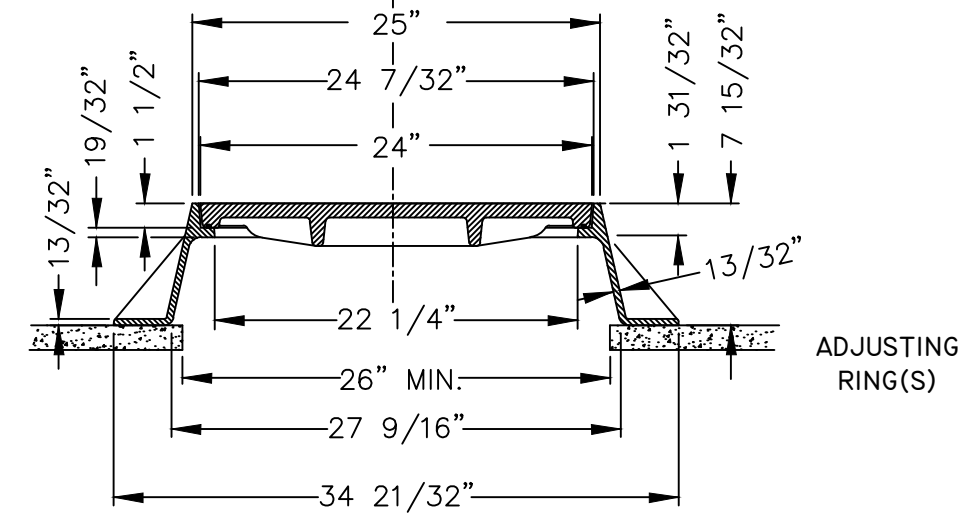
CONCRETE PIPE-RUBBER GASKET (ASTM C-443)
PVC PIPE-ELASTOMETRIC GASKET (ASTM D-3212 & F-477)



SELF-SEAL DETAIL

NOTE

OPENING FOR FRAME & COVER SHALL BE CENTERED ON MANHOLES WITH FLAT TOPS.

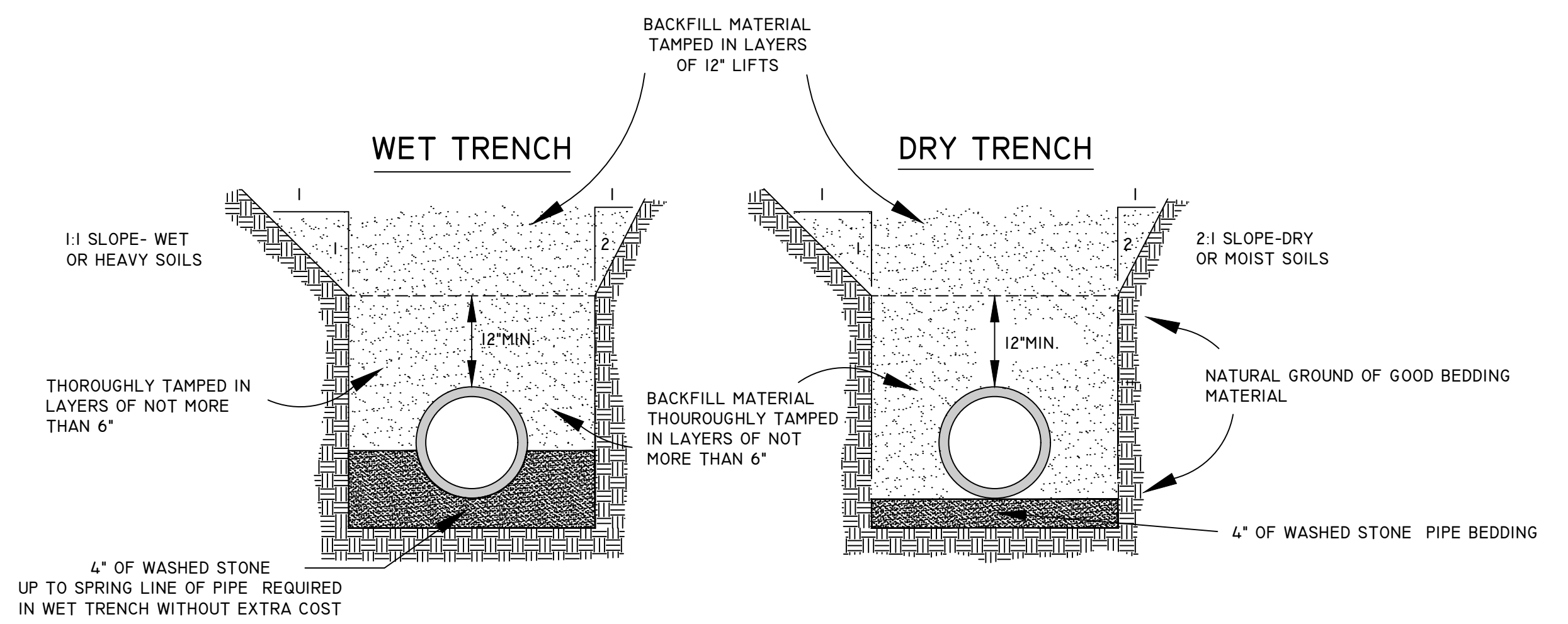
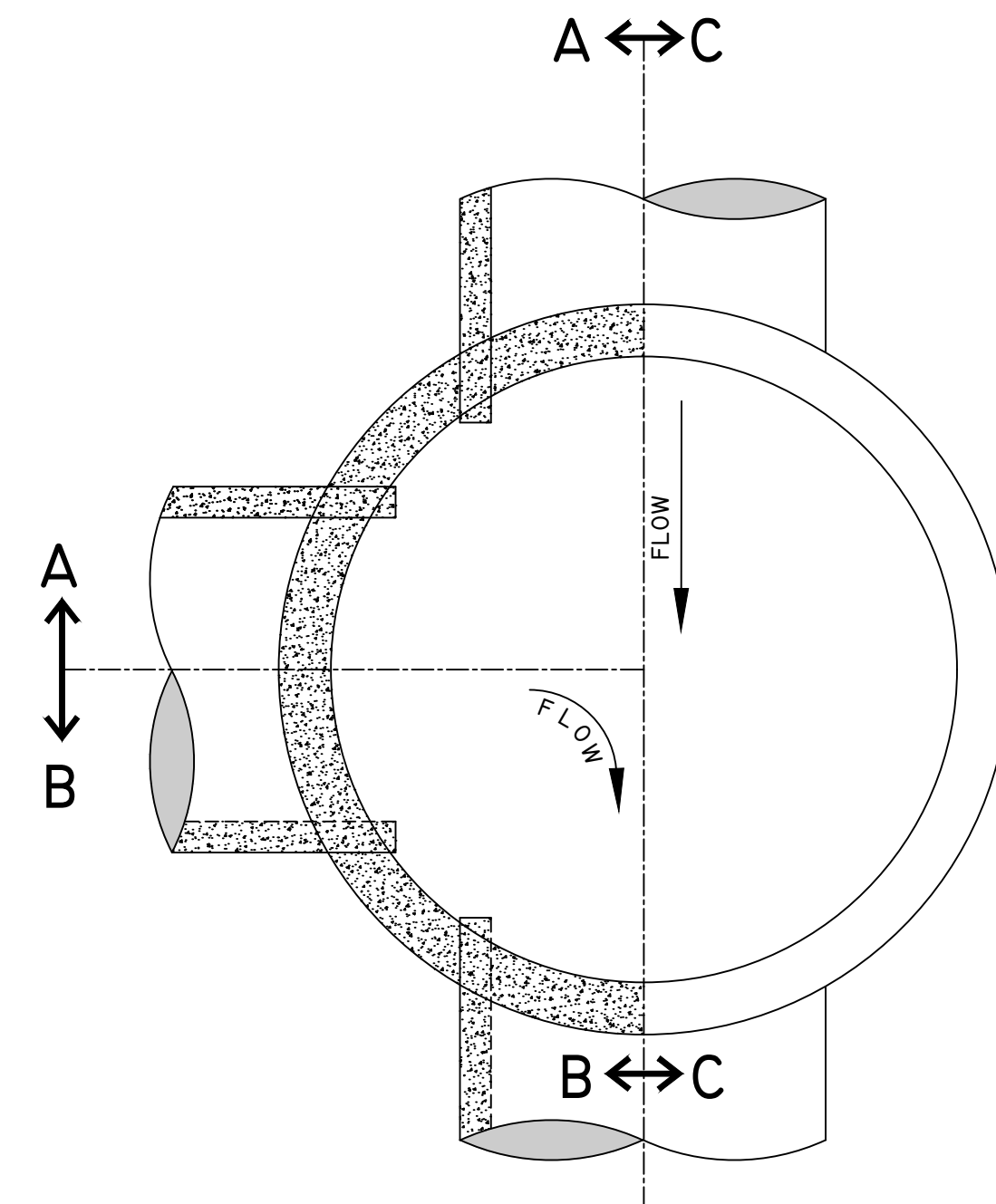
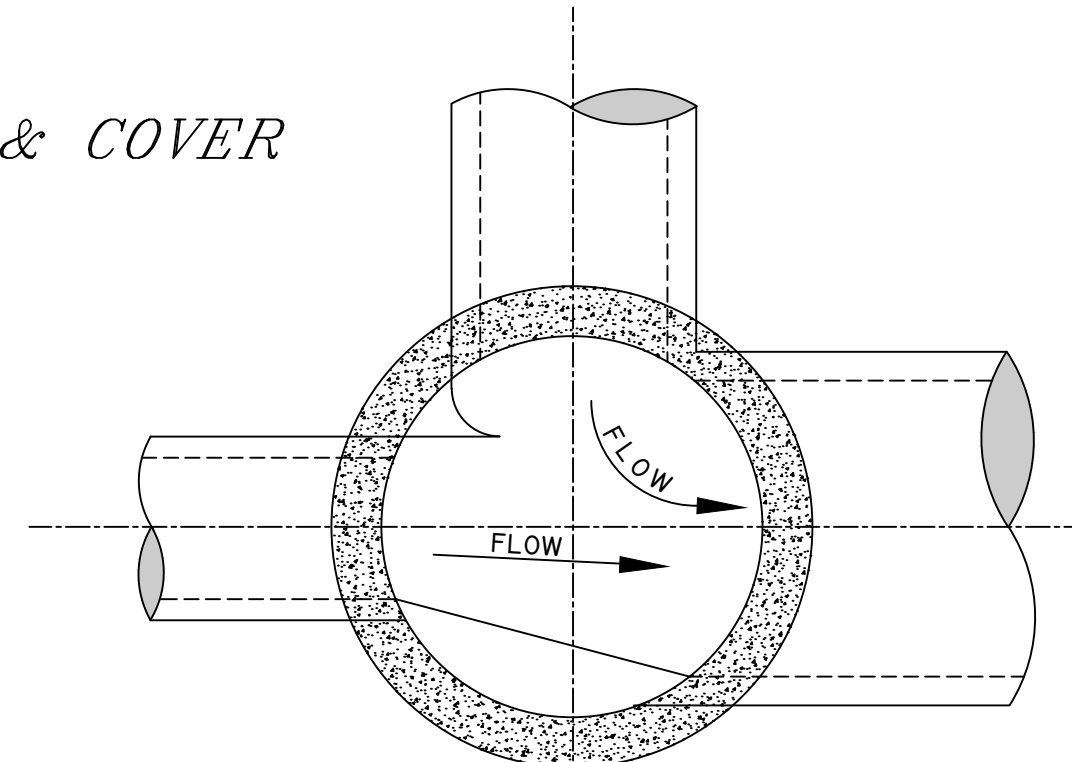


A - A

DETAIL OF MANHOLE FRAME & COVER

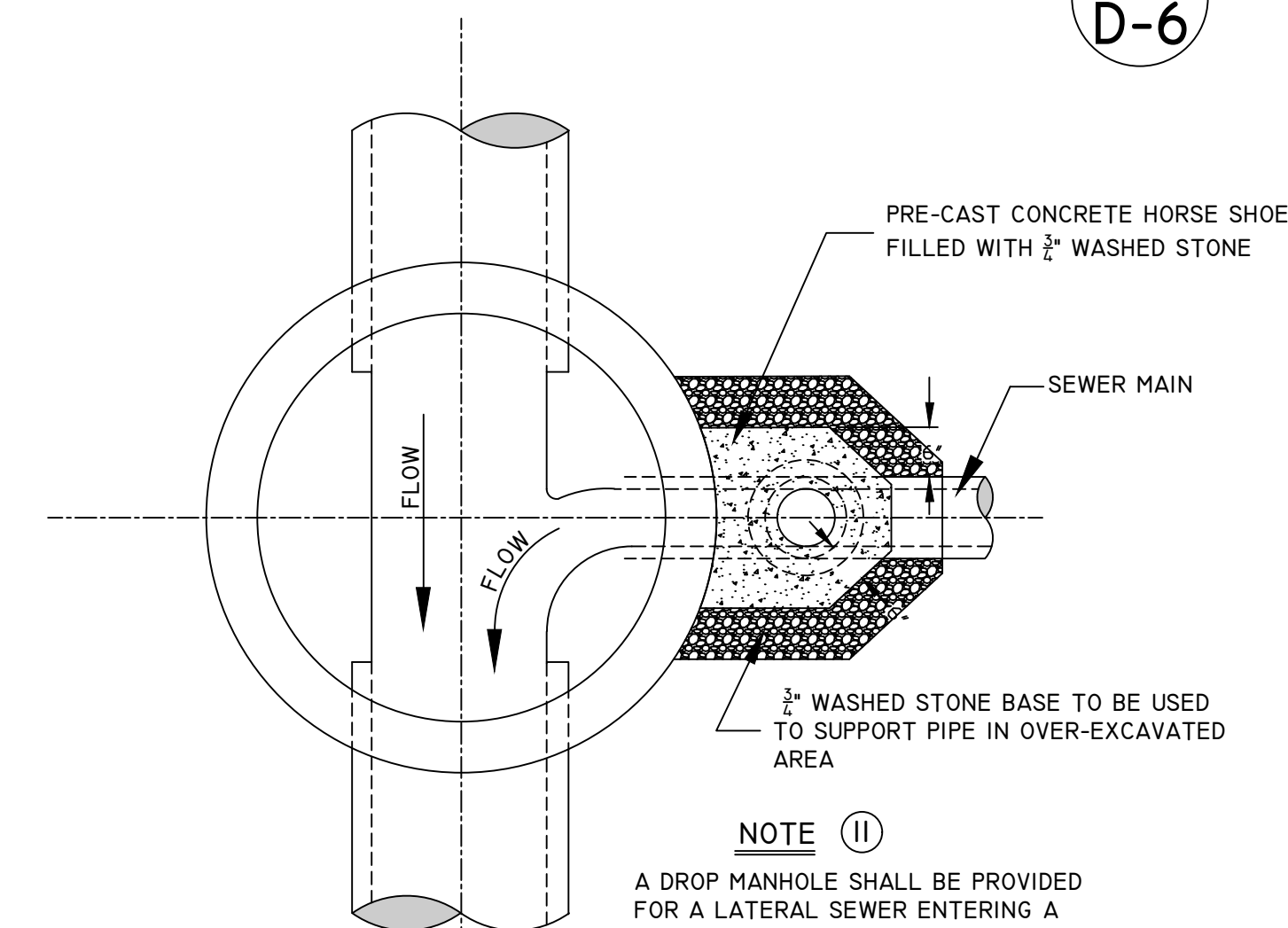
(MINIMUM WEIGHT 324 LBS. TOTAL)
NEENAH R-1670 OR EQUAL

B
D-6



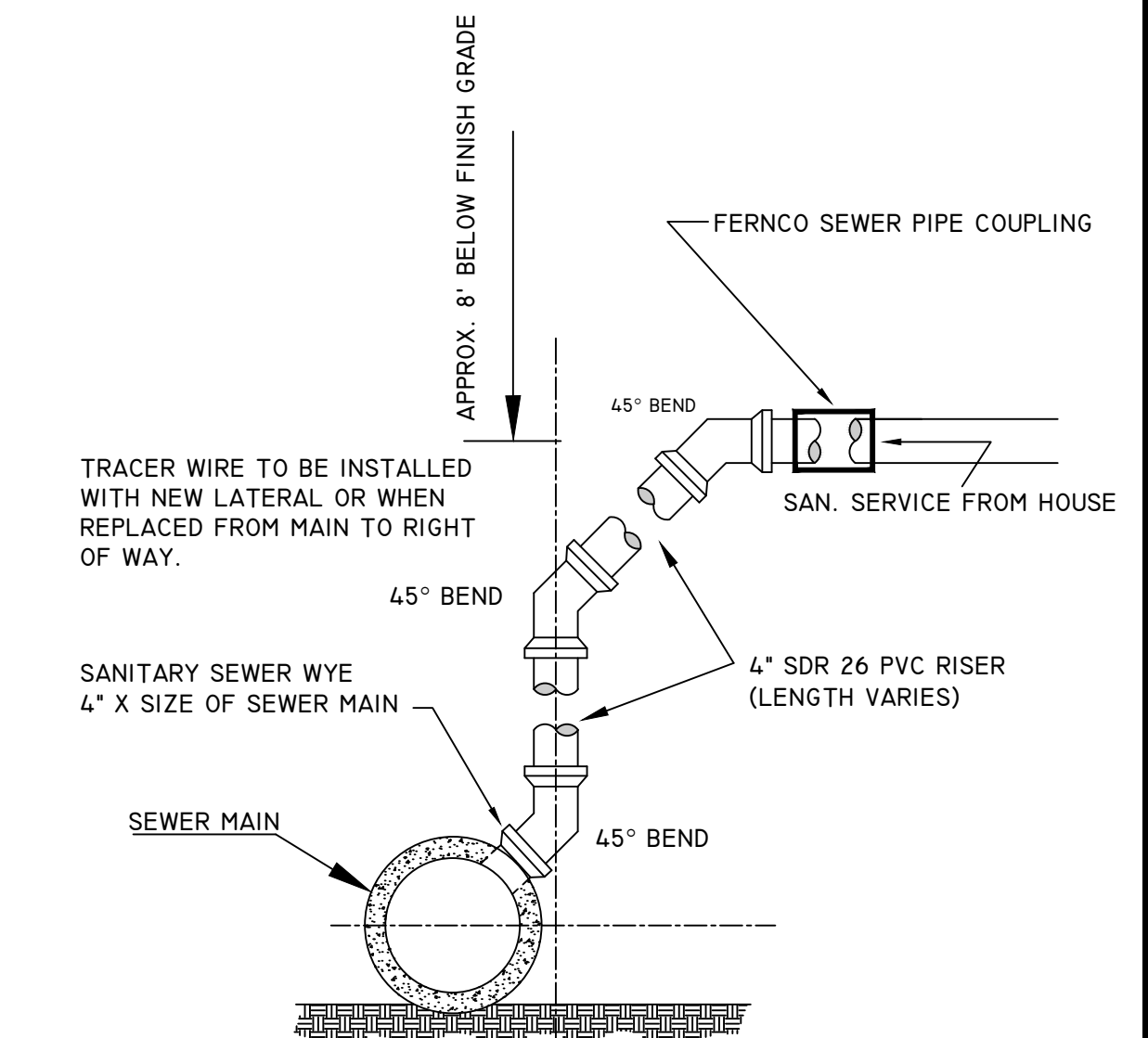
DETAILS OF SEWER TRENCHES

A
D-6



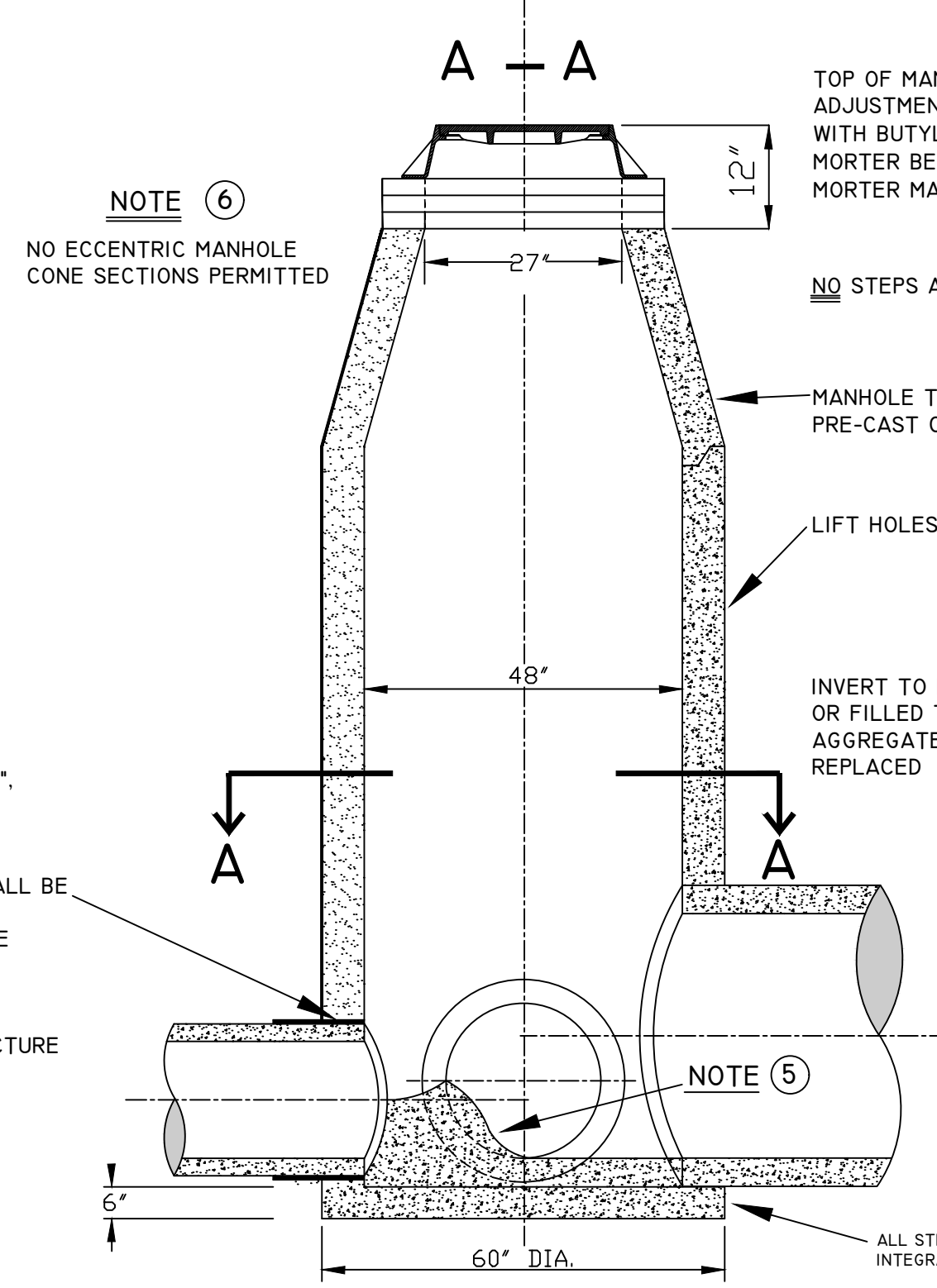
NOTE ①

A DROP MANHOLE SHALL BE PROVIDED FOR A LATERAL SEWER ENTERING A MANHOLE 24" OR MORE ABOVE THE MANHOLE INVERT.



DETAILS OF RISER FOR HOUSE CONNECTION

F
D-6



NOTE ①

TOP OF MANHOLE TO BE 12" BELOW FINISHED GRADE. ADJUSTMENT TO BE OF PRE-CAST CONCRETE RINGS WITH BUTYL GASKETS (ROPE) BETWEEN RINGS AND MORTAR BETWEEN CASTING & TOP RING ONLY. (3/4" MORTAR MAX.)

NOTE ②

NO STEPS ARE TO BE INSTALLED IN MANHOLES

NOTE ③

MANHOLE TO BE CONSTRUCTED OF PRE-CAST CONCRETE (ASTM C-478).

NOTE ④

LIFT HOLES TO BE MANUFACTURED WATER PROOF

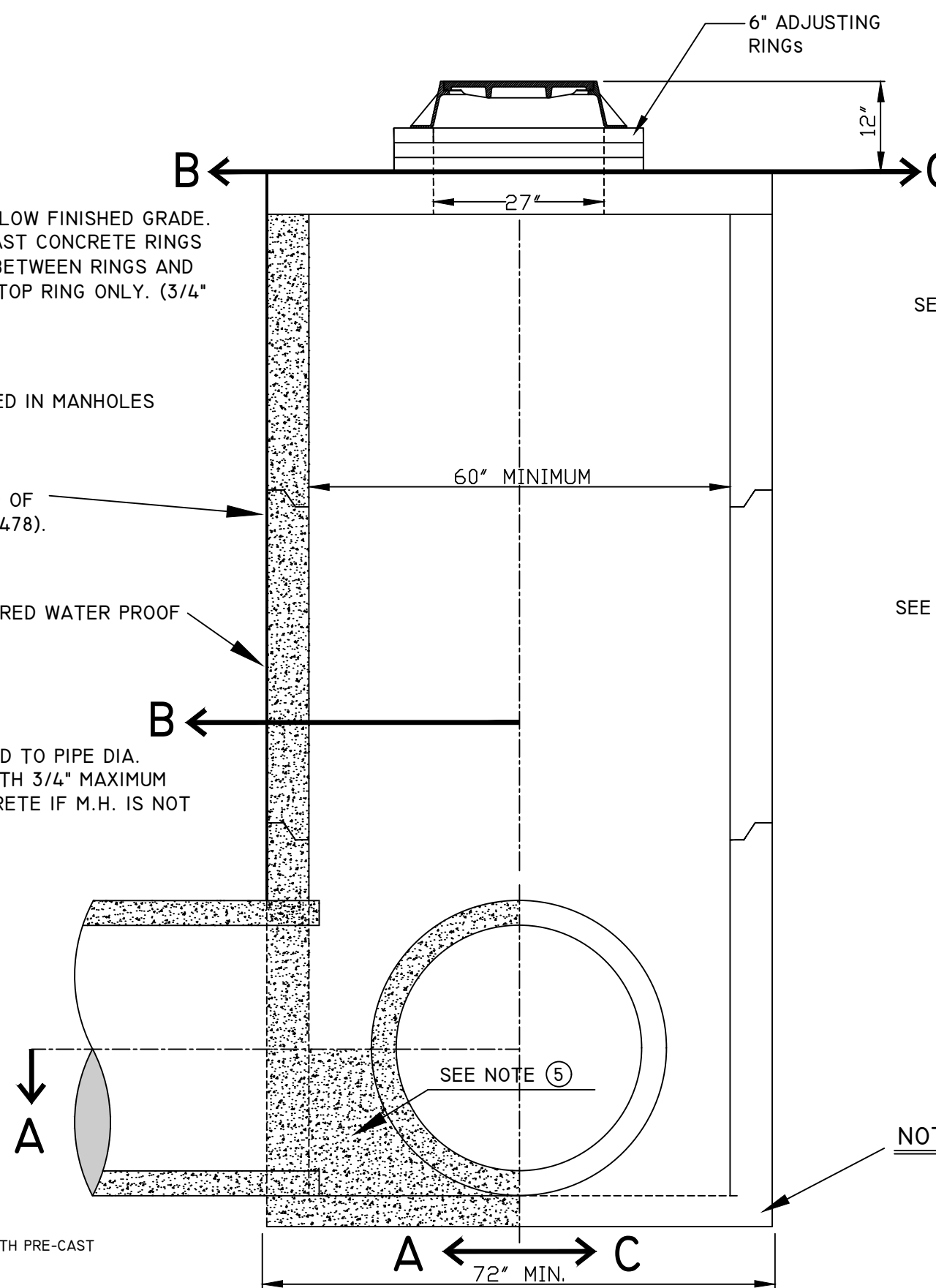
NOTE ⑤

INVERT TO BE FACTORY MOLDED TO PIPE DIA. OR FILLED TO DIRECT FLOW WITH 3/4" MAXIMUM AGGREGATE, 3500 P.S.I. CONCRETE IF M.H. IS NOT REPLACED

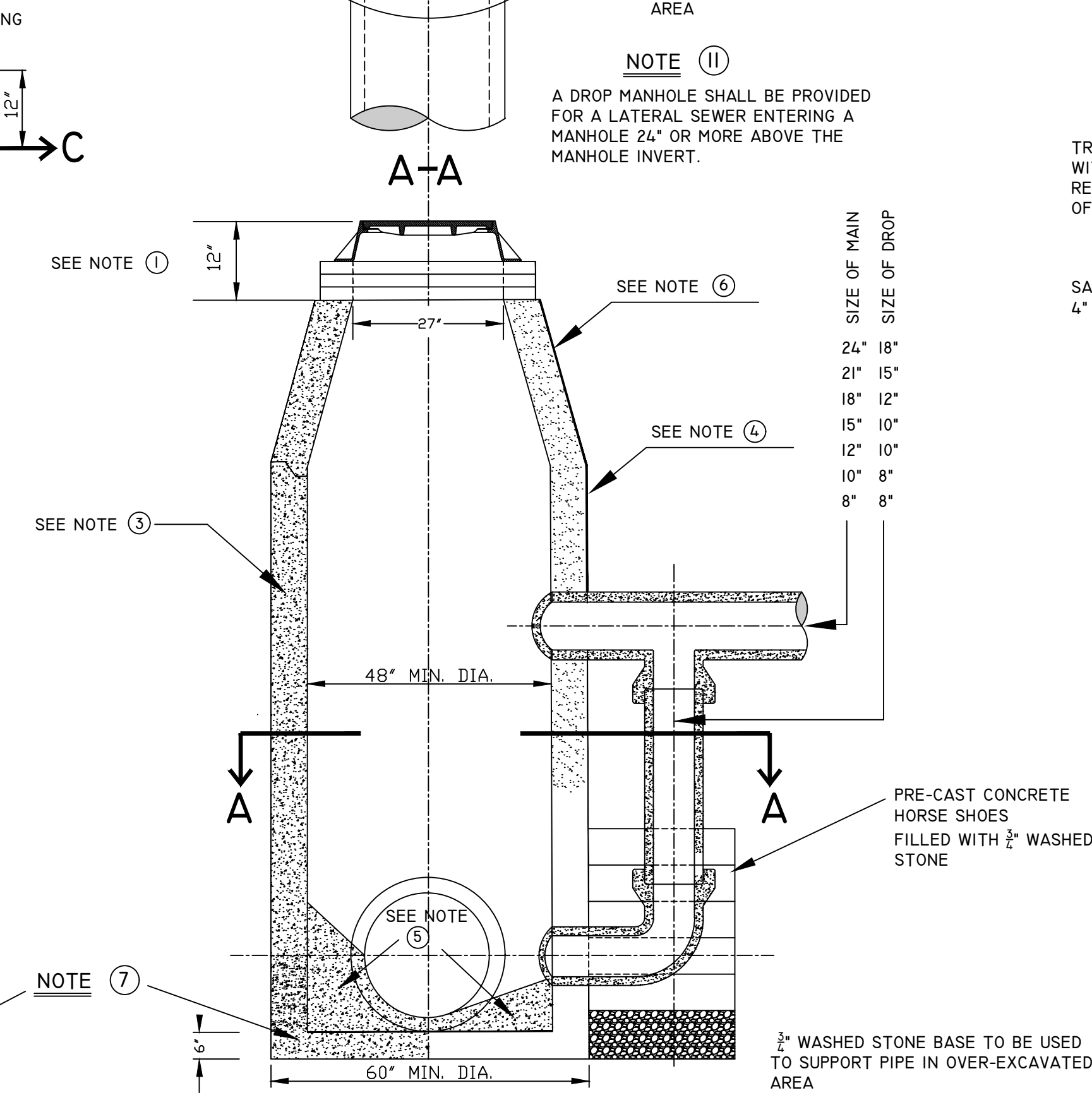
NOTE ⑦

ALL STRUCTURES TO BE MADE WITH PRE-CAST INTEGRAL FOOTING BASE. MIN. 6"

C
D-6 DETAILS OF STANDARD MANHOLE FOR 30" PIPE OR SMALLER



D
D-6 DETAILS OF STANDARD MANHOLE FOR 36" PIPE OR LARGER



E
D-6 DETAILS OF DROP MANHOLE FOR 30" PIPE OR SMALLER

NOTE ⑫

THE CONNECTION OF ALL PVC SANITARY SEWER PIPE, SIZE 6" TO 30", TO PRECAST MANHOLES OR OTHER STRUCTURES SHALL EMPLOY A WATERTIGHT, FLEXIBLE PIPE-TO-MANHOLE CONNECTOR

THE CONNECTOR SHALL CONSIST OF A SINGLE RUBBER GASKET, SHALL BE CONSTRUCTED SOLELY OF SYNTHETIC OR NATURAL RUBBER, SHALL MEET/EXCEED THE REQUIREMENTS OF ASTM C 925, AND SHALL HAVE A MINIMUM TENSILE STRENGTH OF 1600 PSI

THE CONNECTOR SHALL BE THE SOLE ELEMENT RELIED ON TO ASSURE A FLEXIBLE, WATERTIGHT SEAL OF THE PIPE TO THE STRUCTURE

PROJECT No.	SANITARY SEWER DETAILS		
LOCATION	D-6		
RESOLUTION	D-6	DATE	
ENGINEERING DEPT. City of LaCrosse, Wis.			

FIELD NO.	DATE	BY	DATE
DESIGNED			
DRAWN			
CHECKED			
APPROVED			
REVISIONS			
	M.D.F.	3/03	J.M.C.
	J.M.C.	9/03	B.F.M.
	M.D.F.	4/06	J.M.C.
	M.D.F.	12/10	B.F.M.
	M.D.F.	4/13	J.M.C.

SCALE: NONE
SHEET NO. TOTAL SHEETS